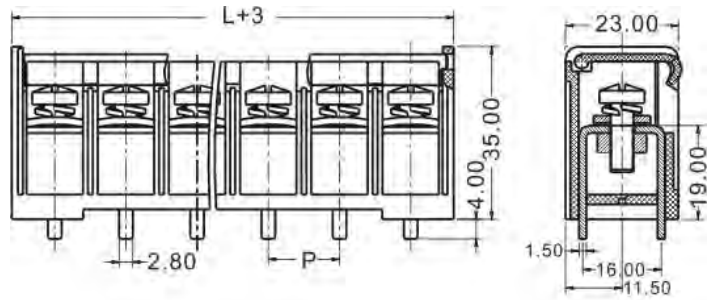


栅栏式接线端子 Barrier Style terminal blocks



**B14.5TC-HD**

**Pitch: 14.5 mm**



**技术数据**

**Technical Data**

额定电参数	Rating	600V 40A
压线范围	Wire Range	22~8 AWG
螺钉 / 力矩	Screw / Torque Rating	Steel, M5, Nickel plated / 2.5N • m
外壳	Insulator Body	PBT, UL94 V0
工频耐电压	Insulation withstand Voltage	AC4000V at 1 minute
绝缘阻抗	Insulation Resistance	1000MΩ or more at DC500V
使用温度	Working Temperature	-40°C ~ +130°C

**定货型号 How to Order No.**

位数 No. of Positons	B14.5TC-HD	
2	B14.5TC-HD-02	
3	B14.5TC-HD-03	
...	...	
11	B14.5TC-HD-11	
12	B14.5TC-HD-12	