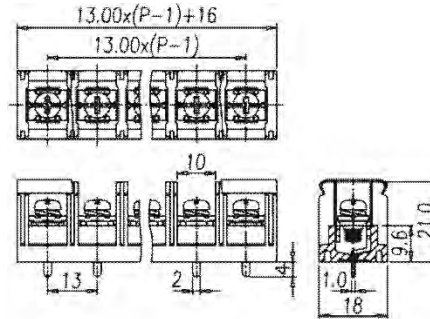


栅栏式接线端子 Barrier Style terminal blocks



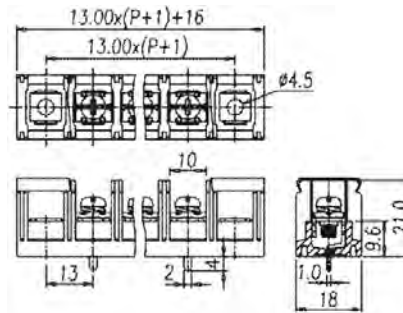
B13C-H

Pitch: 13 mm



B13CF1-H

Pitch: 13 mm



技术数据

Technical Data

额定电参数	Rating	600V 40A
压线范围	Wire Range	18~10 AWG
螺钉 / 力矩	Screw / Torque Rating	Steel, M4, Nickel plated / 1.6N·m
外壳	Insulator Body	PA66, UL94 V0
工频耐电压	Insulation withstand Voltage	AC2000V at 1 minute
绝缘阻抗	Insulation Resistance	500MΩ or more at DC500V
使用温度	Working Temperature	-40℃ ~ +105℃

定货型号 How to Order No.

位数 No. of Positons	B13C-H	B11CF1-H
2	B13C-H-02	B13CF1-H-02
3	B13C-H-03	B13CF1-H-03
...
21	B13C-H-21	B13CF1-H-21
22	B13C-H-22	B13CF1-H-22