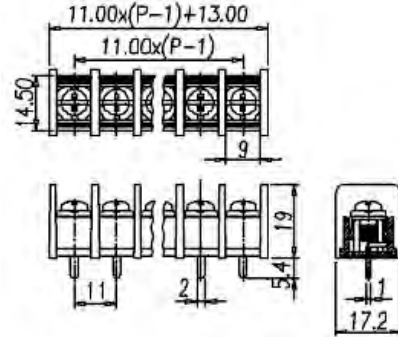
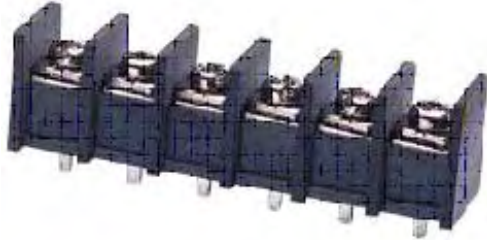


栅栏式接线端子 Barrier Style terminal blocks



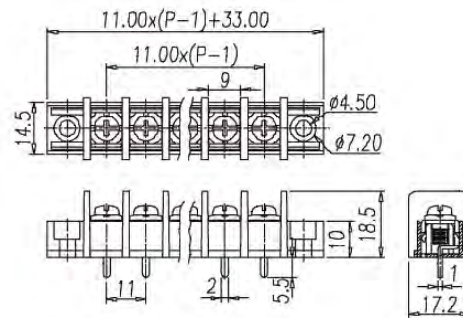
B11-H

Pitch: 11 mm



B11F-H

Pitch: 11 mm



技术数据

Technical Data

额定电参数	Rating	300V 20A
压线范围	Wire Range	22~12 AWG
螺钉 / 力矩	Screw / Torque Rating	Steel, M4, Nickel plated / 1.2N·m
外壳	Insulator Body	PA66, UL94 V0
工频耐电压	Insulation withstand Voltage	AC2000V at 1 minute
绝缘阻抗	Insulation Resistance	500MΩ or more at DC500V
使用温度	Working Temperature	-40℃ ~ +105℃

定货型号 How to Order No.

位数 No. of Positons	B11-H	B11F-H
2	B11-H-02	B11F-H-02
3	B11-H-03	B11F-H-03
...
25	B11-H-25	B11F-H-25
26	B11-H-26	B11F-H-26