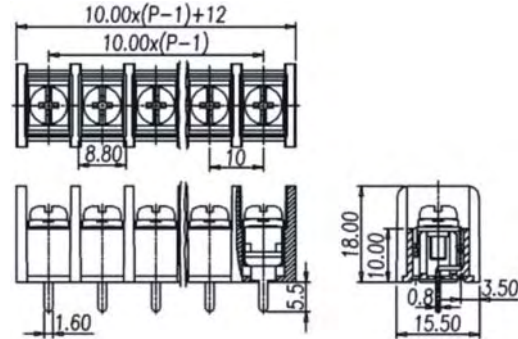


栅栏式接线端子 Barrier Style terminal blocks



B10-H

Pitch: 10 mm



B10F-H

Pitch: 10 mm

技术数据

Technical Data

额定电参数	Rating	300V 20A
压线范围	Wire Range	22~12 AWG
螺钉 / 力矩	Screw / Torque Rating	Steel, M3.5, Nickel plated / 1.0N·m
外壳	Insulator Body	PA66, UL94 V0
工频耐电压	Insulation withstand Voltage	AC2000V at 1 minute
绝缘阻抗	Insulation Resistance	500MΩ or more at DC500V
使用温度	Working Temperature	-40℃ ~ +105℃

定货型号 How to Order No.

位数 No. of Positons	B10-H	B10F-H
2	B10-H-02	B10F-H-02
3	B10-H-03	B10F-H-03
...
25	B10-H-25	B10F-H-25
26	B10-H-26	B10F-H-26