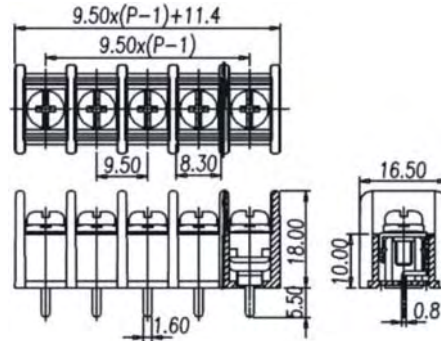


栅栏式接线端子 Barrier Style terminal blocks



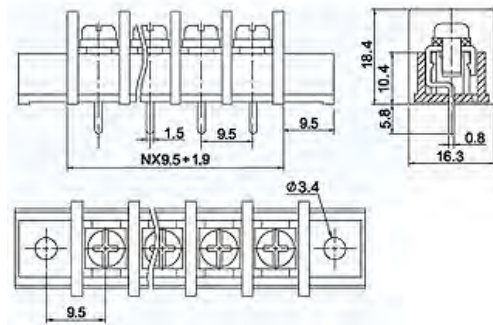
**B9.5-H**

**Pitch: 9.5 mm**



**B9.5F-H**

**Pitch: 9.5 mm**



**技术数据**

**Technical Data**

额定电参数	Rating	300V 20A
压线范围	Wire Range	22~12 AWG
螺钉 / 力矩	Screw / Torque Rating	Steel, M3.5, Nickel plated / 1.0N · m
外壳	Insulator Body	PA66, UL94 V0
工频耐电压	Insulation withstand Voltage	AC2000V at 1 minute
绝缘阻抗	Insulation Resistance	500MΩ or more at DC500V
使用温度	Working Temperature	-40℃ ~ +105℃

**定货型号 How to Order No.**

位数 No. of Positons	B9.5-H	B9.5F-H
2	B9.5-H-02	B9.5F-H-02
3	B9.5-H-03	B9.5F-H-03
...	...	...
25	B9.5-H-25	B9.5F-H-25
26	B9.5-H-26	B9.5F-H-26