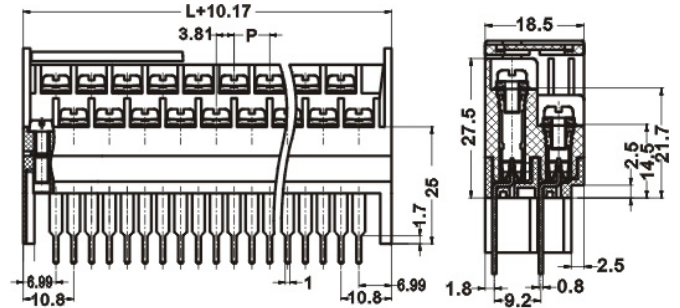
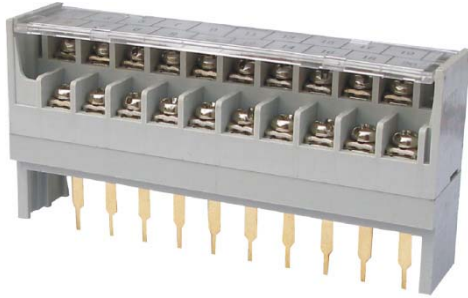


栅栏式接线端子 Barrier Style terminal blocks



B7.62DPC-H

Pitch: 7.62 mm



技术数据

Technical Data

额定电参数	Rating	300V 10A
压线范围	Wire Range	22~14 AWG
螺钉 / 力矩	Screw / Torque Rating	Steel, M3.5, Nickel plated / 0.7N · m
外壳	Insulator Body	PA66, UL94 V0
工频耐电压	Insulation withstand Voltage	AC2000V at 1 minute
绝缘阻抗	Insulation Resistance	500MΩ or more at DC500V
使用温度	Working Temperature	-40°C ~ +105°C

定货型号 How to Order No.

位数 No. of Positons	B7.62DPC-H	
2	B7.62DPC-H-02	
3	B7.62DPC-H-03	
...	...	
23	B7.62DPC-H-23	
24	B7.62DPC-H-24	