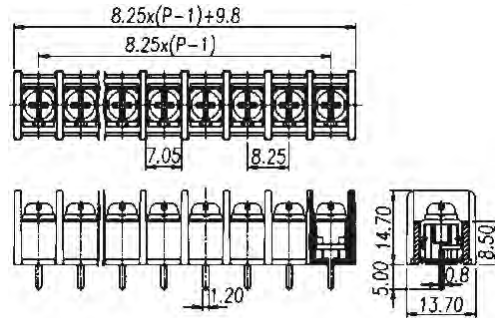


栅栏式接线端子 Barrier Style terminal blocks



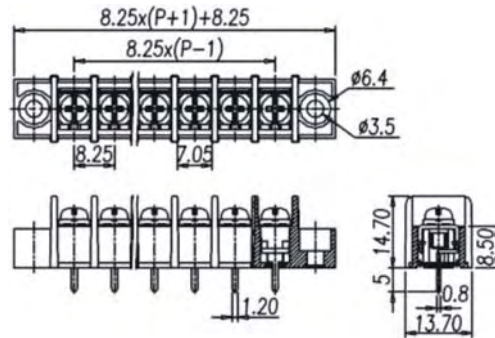
B8.25-H

Pitch: 8.25 mm



B8.25F-H

Pitch: 8.25 mm



技术数据

Technical Data

额定电参数	Rating	300V 20A
压线范围	Wire Range	22~12 AWG
螺钉 / 力矩	Screw / Torque Rating	Steel, M3, Nickel plated / 0.5N·m
外壳	Insulator Body	PA66, UL94 V0
工频耐电压	Insulation withstand Voltage	AC2000V at 1 minute
绝缘阻抗	Insulation Resistance	500MΩ or more at DC500V
使用温度	Working Temperature	-40℃ ~ +105℃

订货型号 How to Order No.

位数 No. of Positons	B8.25-H	B8.25F-H
2	B8.25-H-02	B8.25F-H-02
3	B8.25-H-03	B8.25F-H-03
...
25	B8.25-H-25	B8.25F-H-25
26	B8.25-H-26	B8.25F-H-26