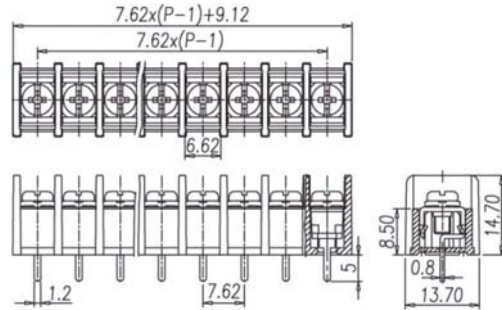


栅栏式接线端子 Barrier Style terminal blocks



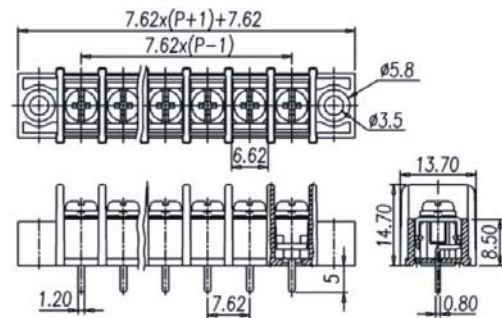
B7.62-H

Pitch: 7.62 mm



B7.62F-H

Pitch: 7.62 mm



技术数据 Technical Data

额定电参数	Rating	300V 15A
压线范围	Wire Range	22~14 AWG
螺钉 / 力矩	Screw / Torque Rating	Steel, M3, Nickel plated / 0.5N·m
外壳	Insulator Body	PA66, UL94 V0
工频耐电压	Insulation withstand Voltage	AC2000V at 1 minute
绝缘阻抗	Insulation Resistance	500MΩ or more at DC500V
使用温度	Working Temperature	-40℃ ~ +105℃

定货型号 How to Order No.

位数 No. of Positons	B7.62-H	B7.62F-H
2	B7.62-H-02	B7.62F-H-02
3	B7.62-H-02	B7.62F-H-02
...
25	B7.62-H-25	B7.62F-H-25
26	B7.62-H-26	B7.62F-H-26